

**CREATIVE ART & DESIGN COMPANY**

50 NORTH MAIN STREET  
ROBBINSVILLE, NC 28771-1616  
PHONE: (828) 346-0694  
E-MAIL: DRAGONFLYINNSTUDIO@YAHOO.COM

**LAKE SANTEETLAH TOWN ENTRY**

**DRAWING: #1003-D RW**  
**RETAINING WALL DRAWINGS**

**DATE: APRIL 18TH, 2020**

**DRAWN BY: JOHN B COLWELL**

**CLIENT: TOWN OF LAKE SANTEETLAH**

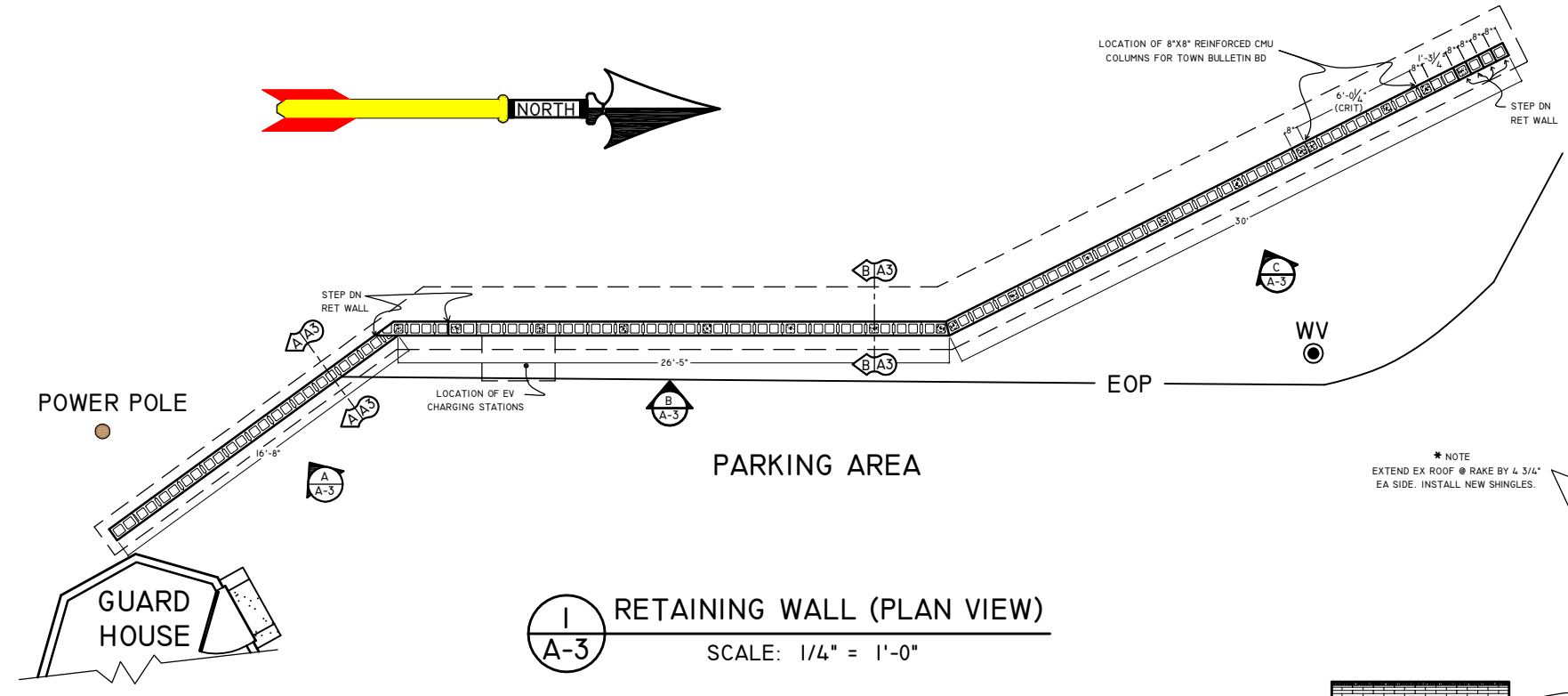
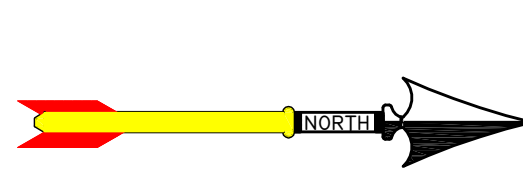
**APPROVED BY:**

**SCALE: VARIES**

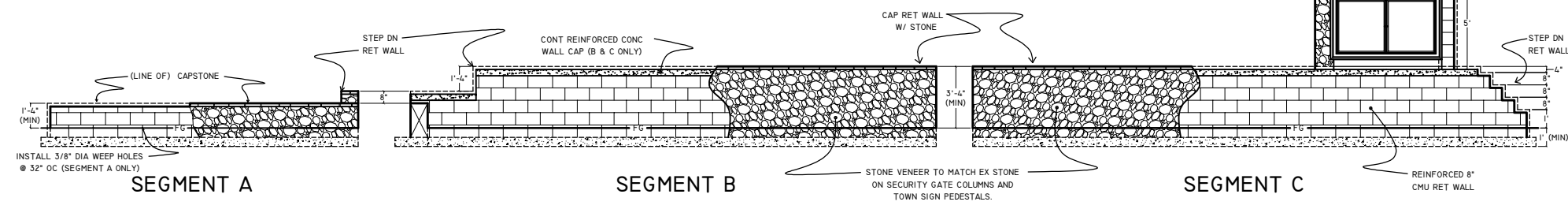
**SHEET NO:**

**A-3**

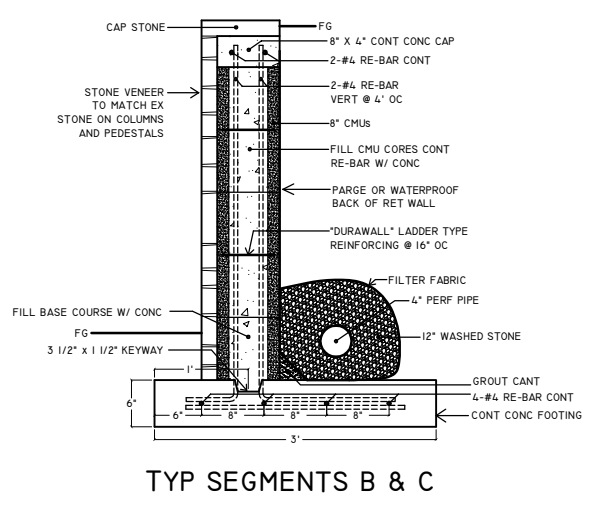
**OF 6**



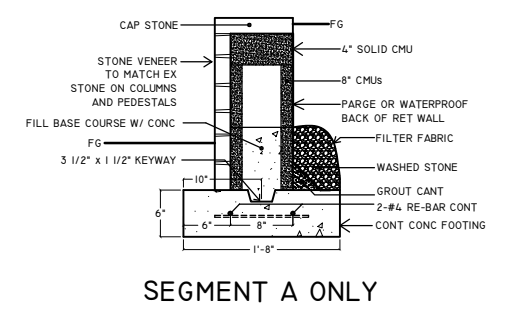
**1 RETAINING WALL (PLAN VIEW)**  
SCALE: 1/4" = 1'-0"



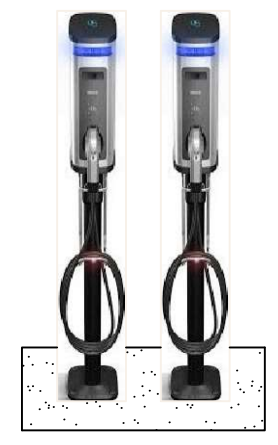
**2 RETAINING WALL ELEVATIONS**  
SCALE: 1/4" = 1'-0"



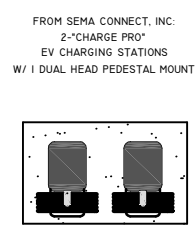
**TYP SEGMENTS B & C**



**SEGMENT A ONLY**

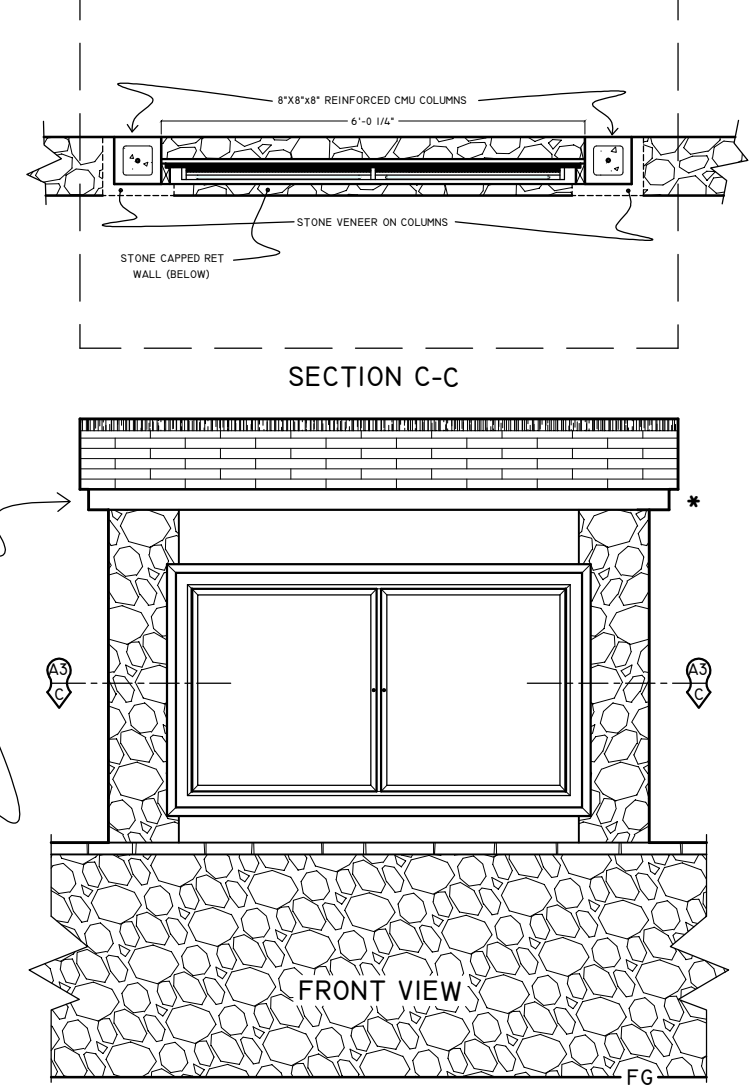


**FRONT VIEW**



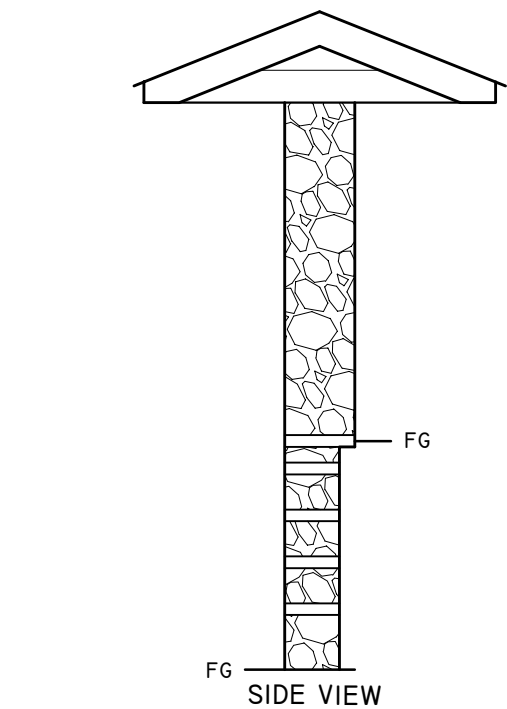
**PLAN VIEW**

**5 EV CHARGING STATIONS**  
NTS



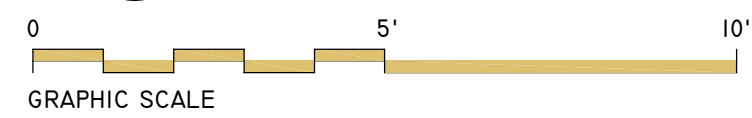
**SECTION C-C**

**FRONT VIEW**

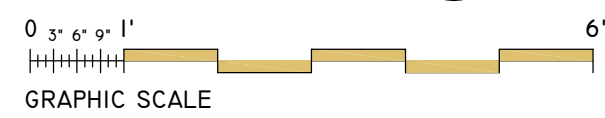


**SIDE VIEW**

**6 BULLETIN BOARD DETAILS**  
SCALE: 3/4" = 1'-0"



**3 RET WALL SECTION B-B**  
SCALE: 1" = 1'-0"



**4 RET WALL SECTION A-A**  
SCALE: 1" = 1'-0"

**GRAPHIC SCALE**