

**CREATIVE ART & DESIGN COMPANY**  
 50 NORTH MAIN STREET  
 ROBBINSVILLE, NC 28771-1616  
 PHONE: (828) 346-0694  
 E-MAIL: DRAGONFLYNNSTUDIO@YAHOO.COM

**LAKE SANTEETLAH TOWN ENTRY**

**DRAWING:**  
 #1003-D TSBD  
 TOWN SIGN AND PLANTING BED

**DATE:**  
 APRIL 20TH, 2020

**DRAWN BY:**  
 JOHN B COLWELL

**CLIENT:** TOWN OF LAKE SANTEETLAH

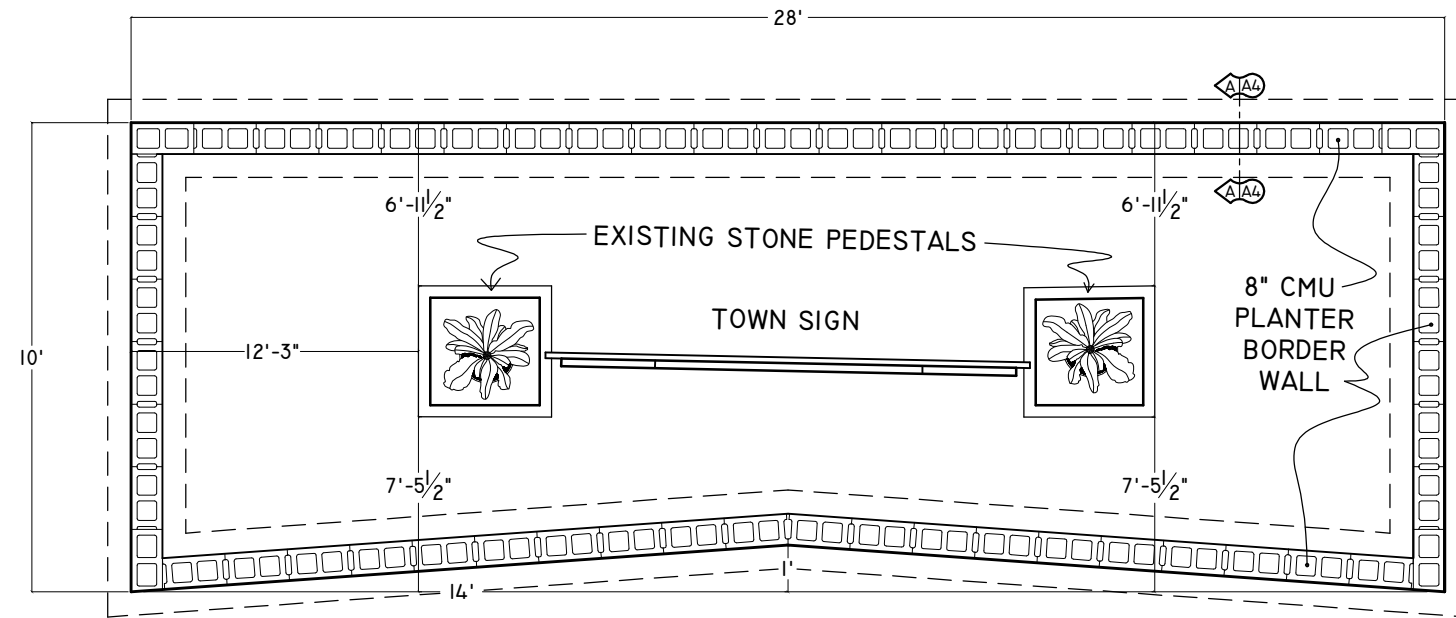
**APPROVED BY:**

**SCALE:**  
 VARIES

**SHEET NO.:**

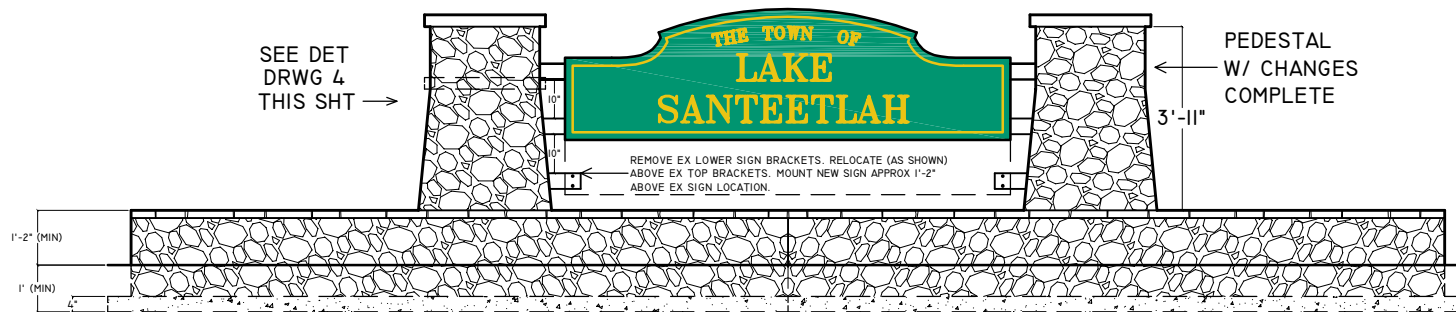
**A-4**

**OF 6**



PLAN VIEW

**1**  
**A-4** TOWN SIGN AND PLANTER WALL  
 SCALE: 1/2" = 1'-0"



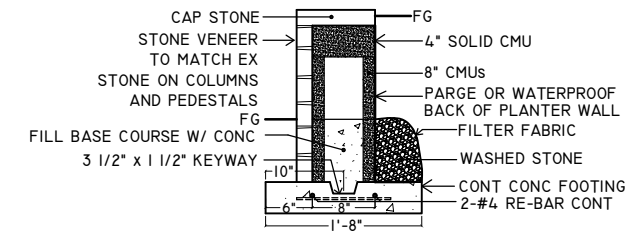
NOTE: INSTALL 3/8" WEEP HOLES @ 32" OC @ FIN GRADE AROUND ENTIRE PLANTER WALL.

FRONT ELEVATION

**2**  
**A-4** SIGN PEDESTALS AND PLANTER WALL  
 SCALE: 1/2" = 1'-0"

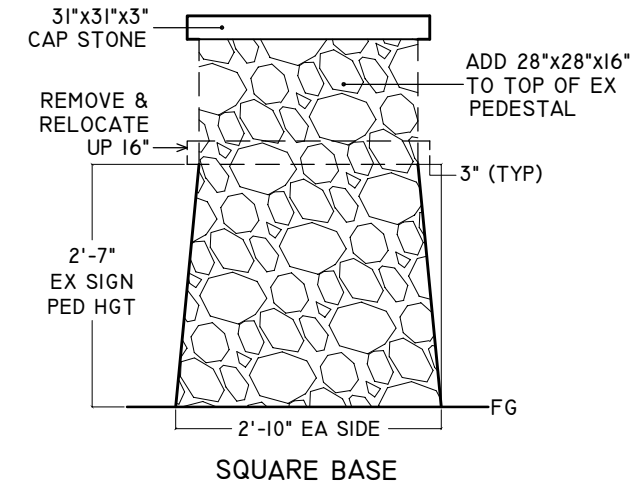


GRAPHIC SCALE



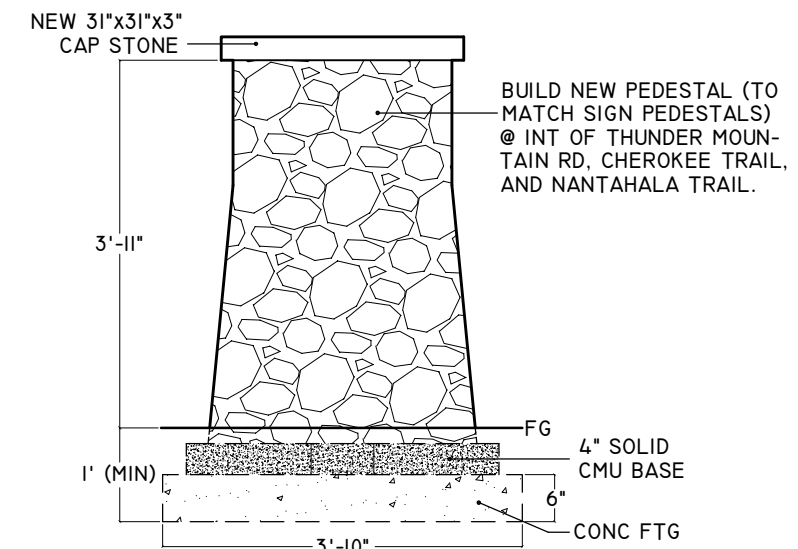
SECTION A-A

**3**  
**A-4** SIGN PLANTER BORDER WALL  
 SCALE: 1" = 1'-0"

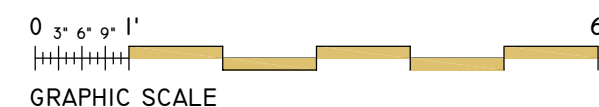


SQUARE BASE

**4**  
**A-4** EX & PROP SIGN PEDESTAL  
 SCALE: 1" = 1'-0"



**5**  
**A-4** NEW STAND ALONE PEDESTAL  
 SCALE: 1" = 1'-0"



GRAPHIC SCALE